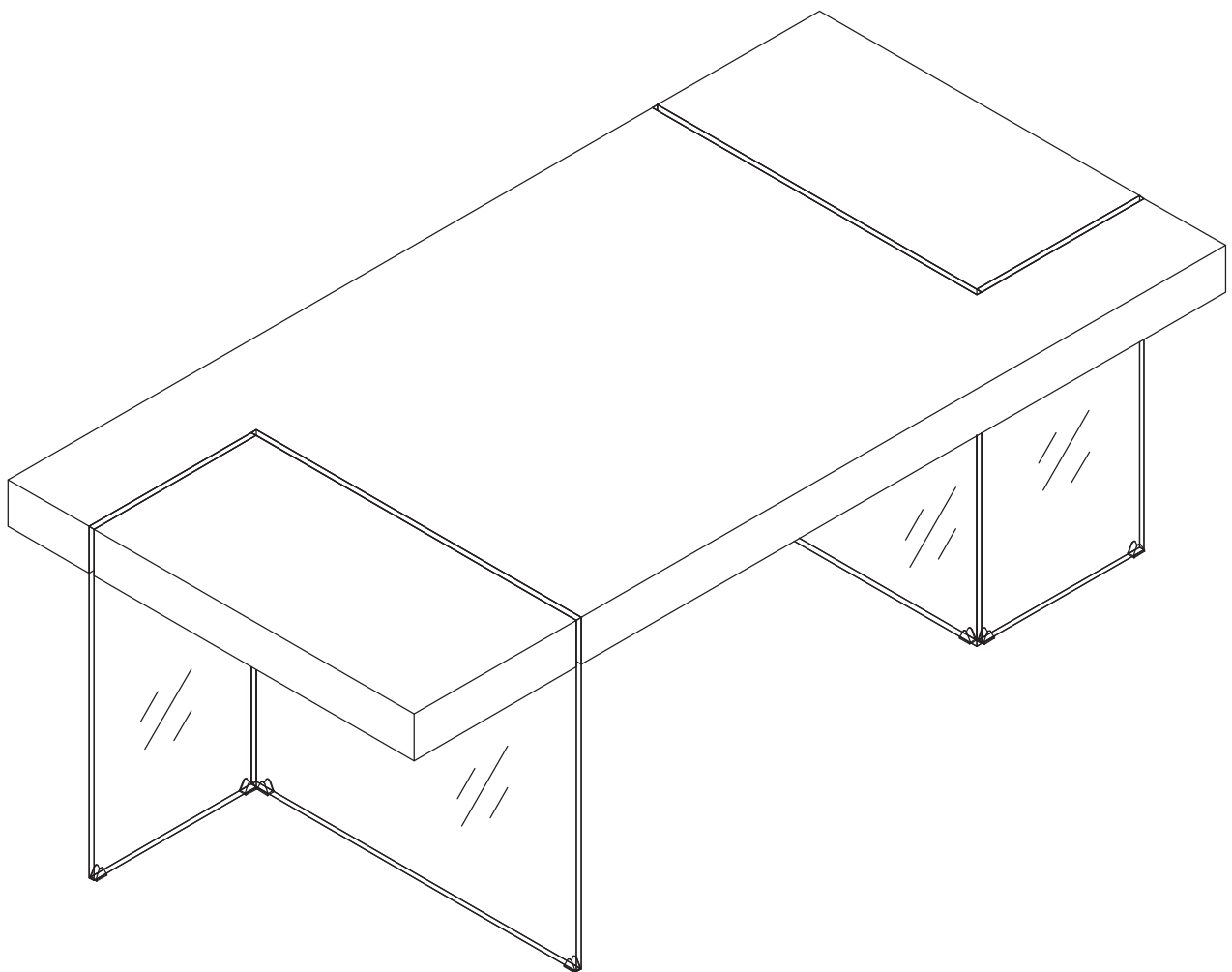
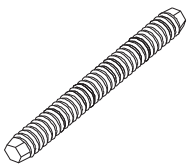
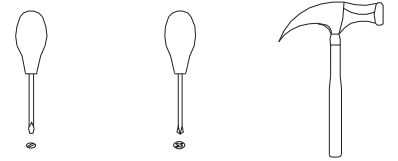
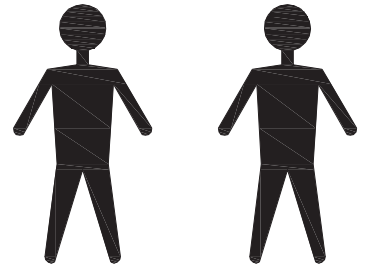


Table rectangulaire Crystalline

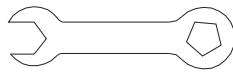




A x20
Spec: M8*L95



B x40
Spec: M8



C x2
Spec: 14#



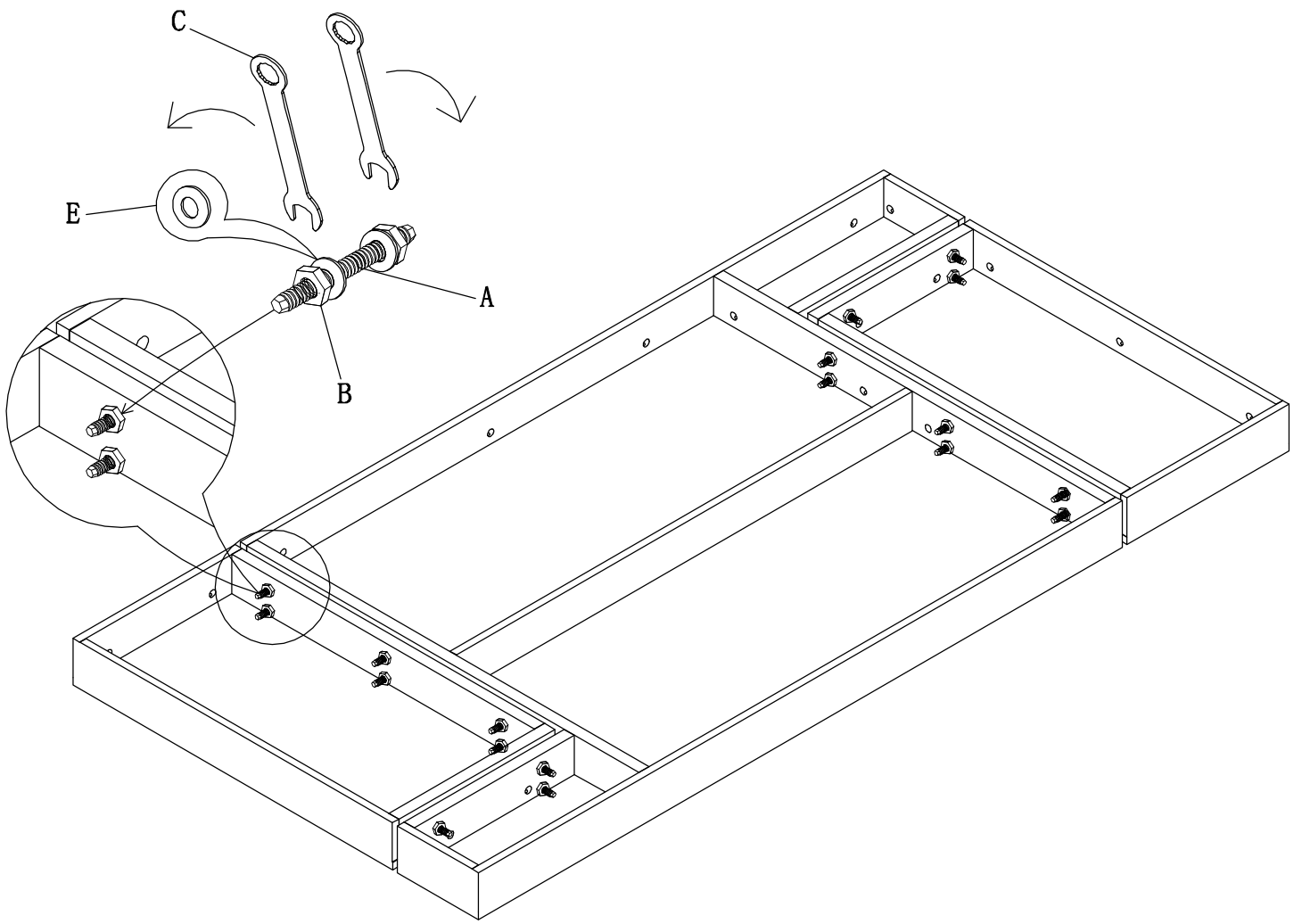
D x20
Spec: $\varnothing 12 * \varnothing 10$



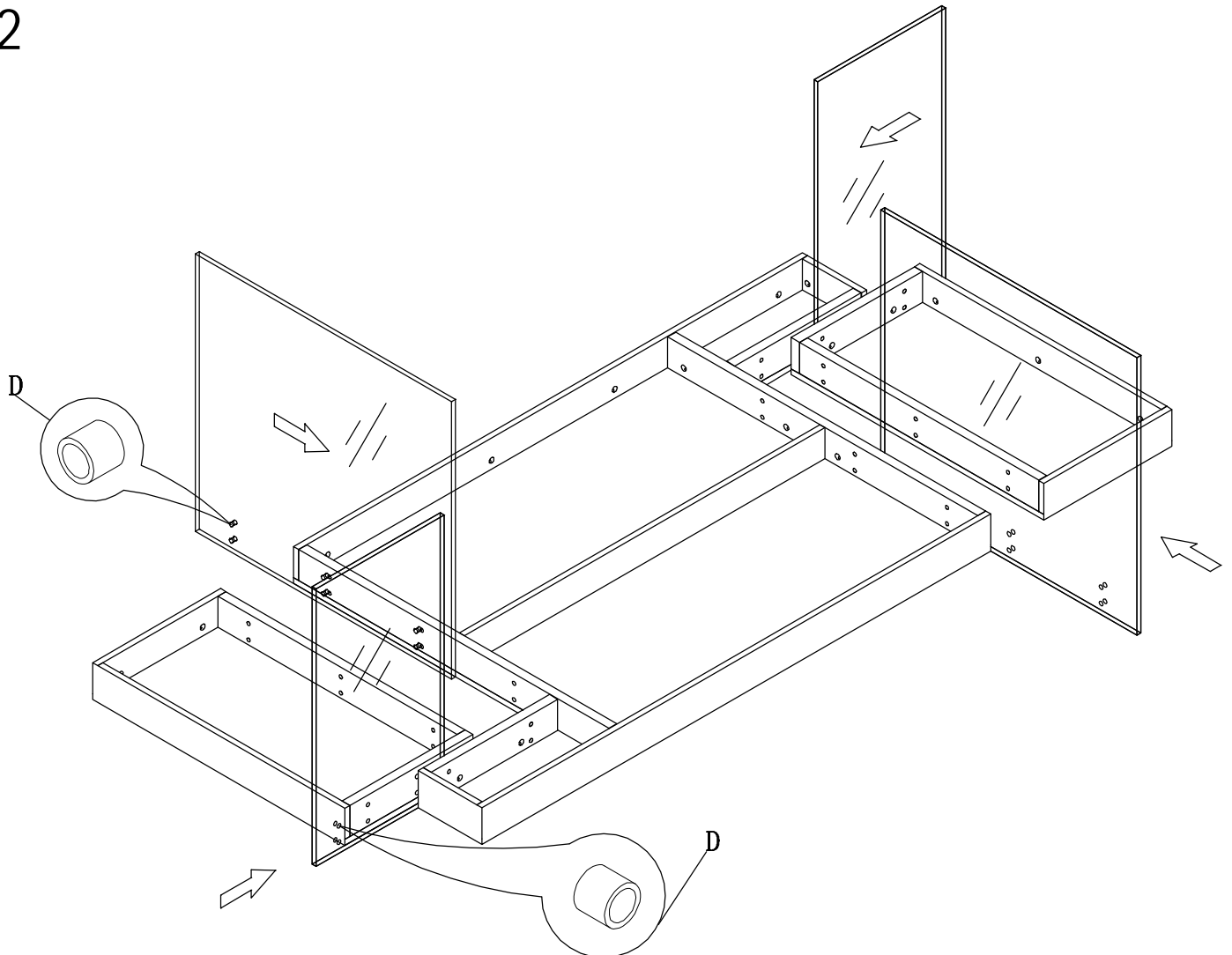
E x40
Spec: $\varnothing 8 * \varnothing 18$

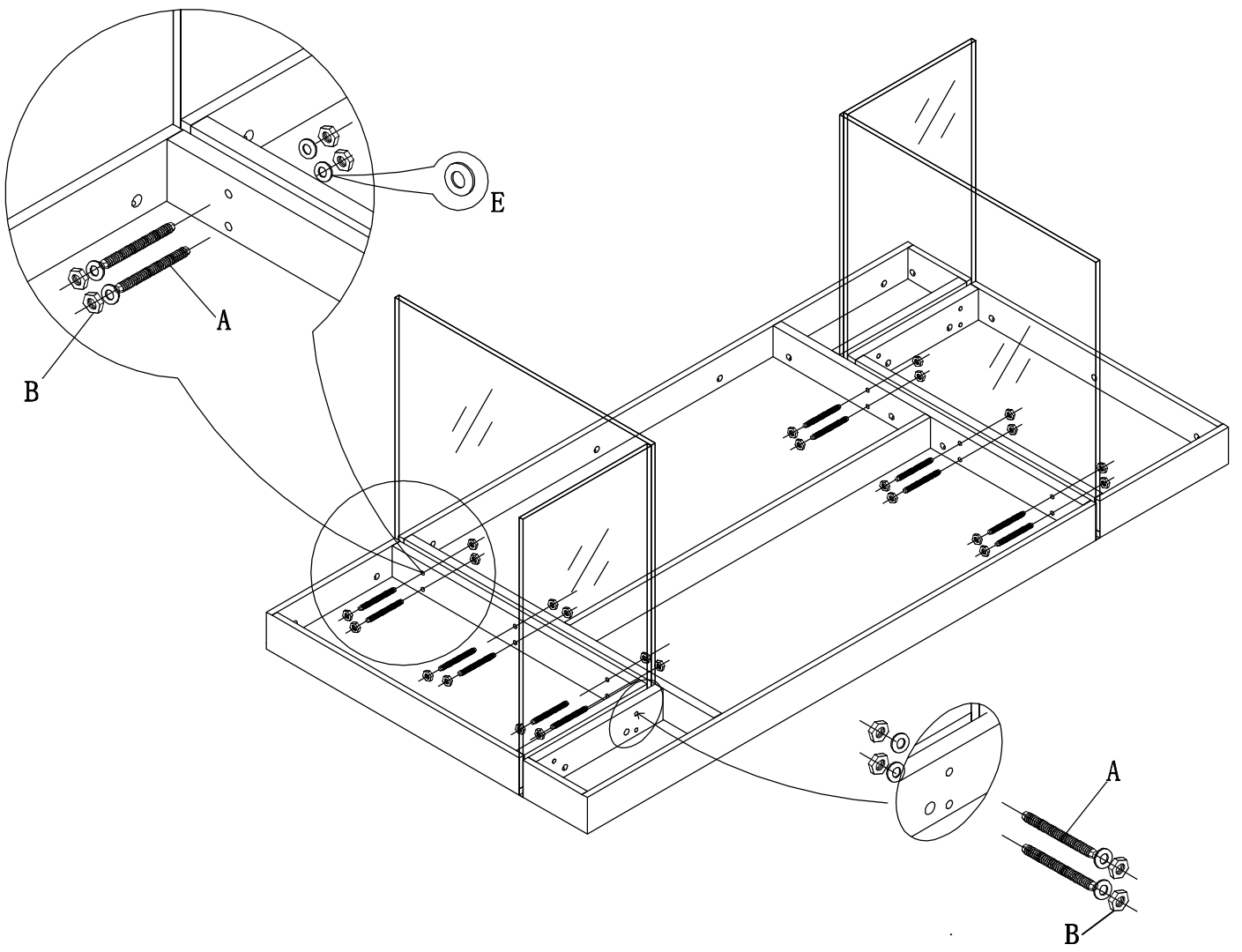


F x8
Spec:



1
2





3

4

