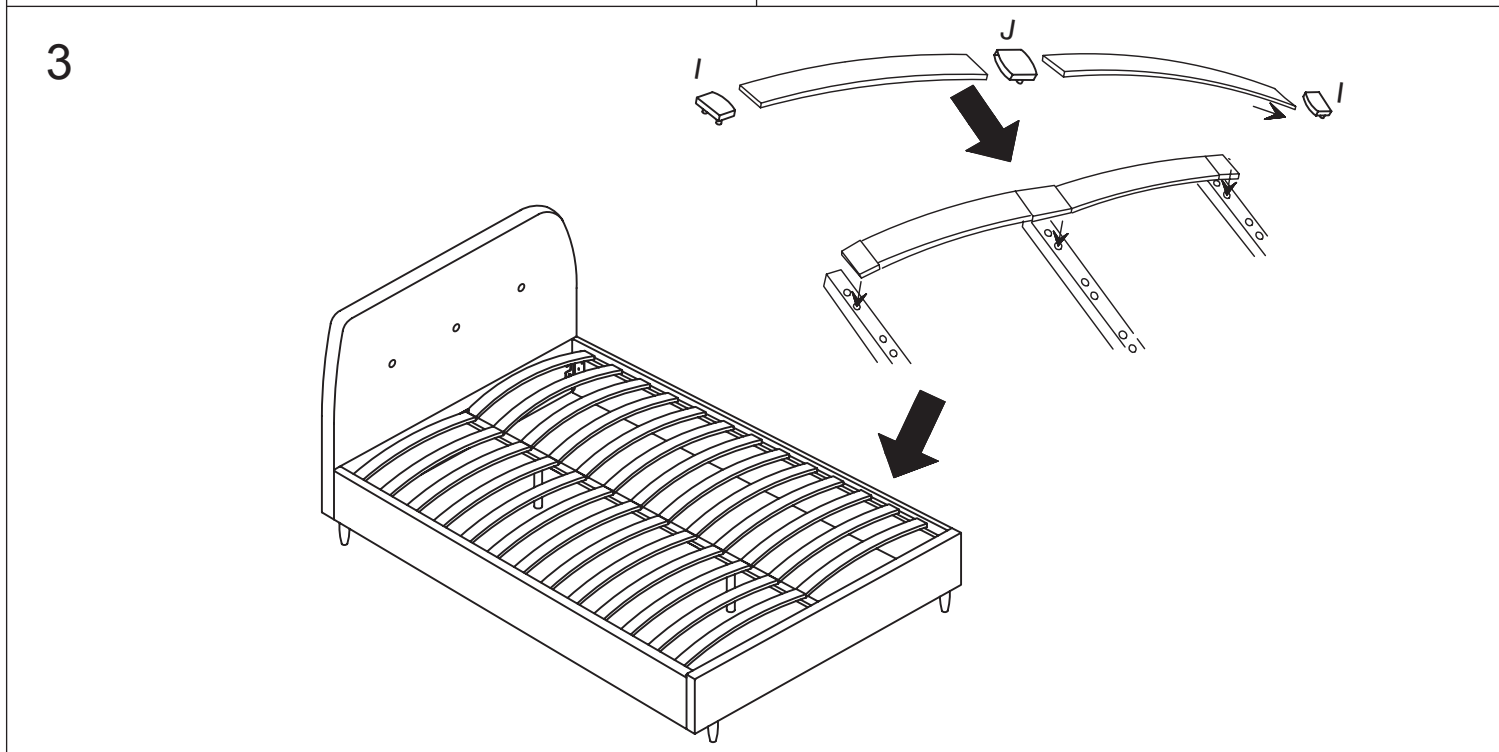
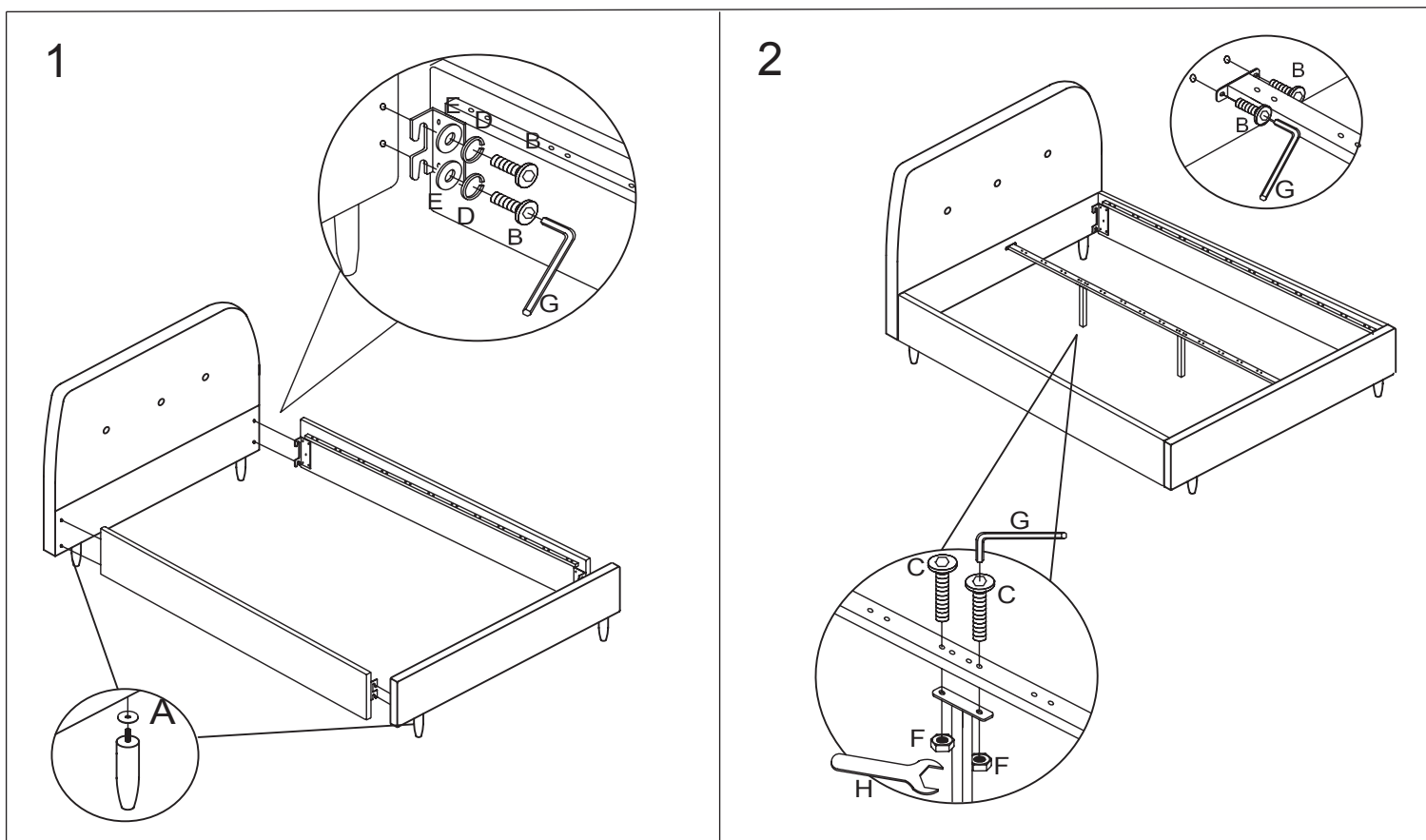

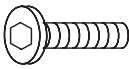
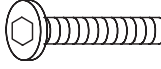









NOTICE LIT ZALARIS



A		4pcs	B	 M8×25	12pcs	C	 M8×35	4pcs	D		8pcs
E		8pcs	F		4pcs	G		1pc	H		1pc
I		26pcs	J		13pcs						