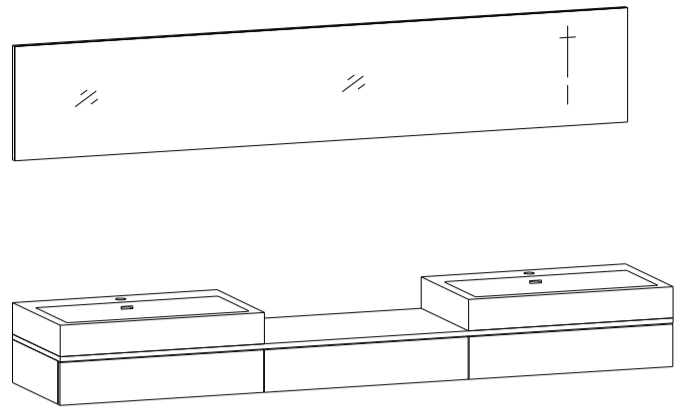
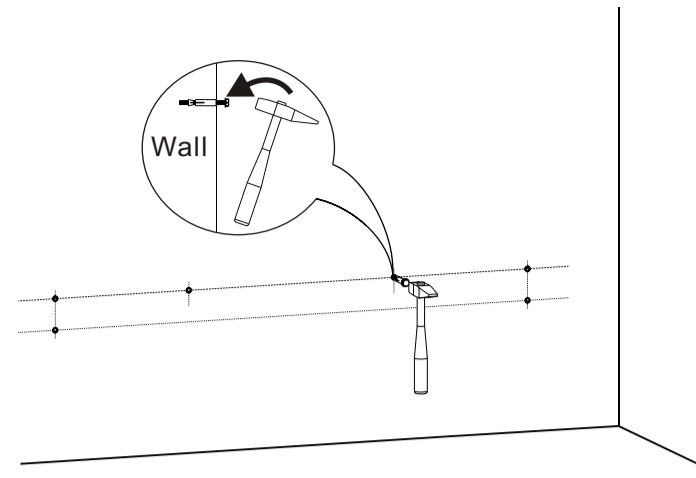


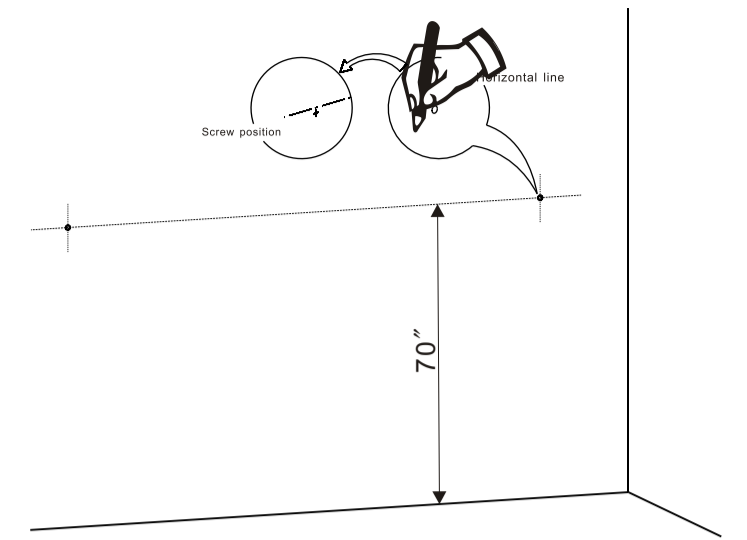
Installation Guide



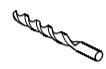
3



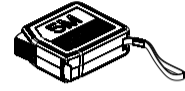
6



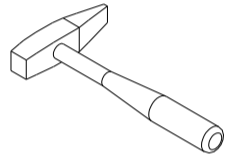
Electric drill



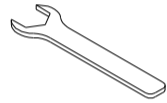
Drill bit (Φ6)



Tape measure (3m~5m)



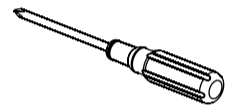
Hammer



Wrench



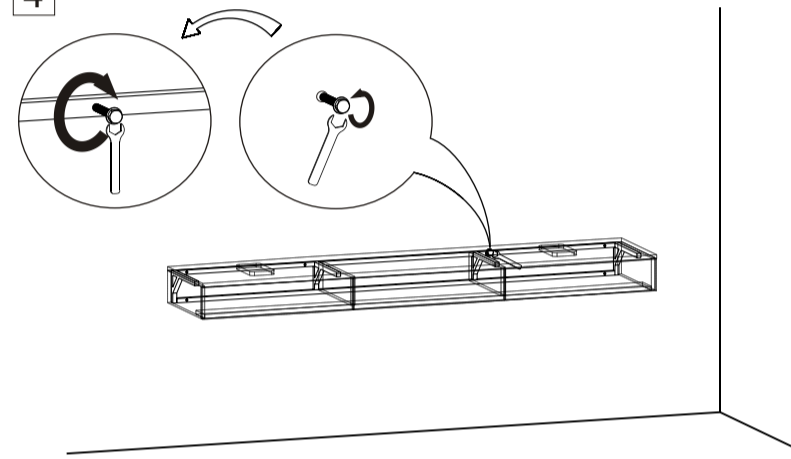
Pencil



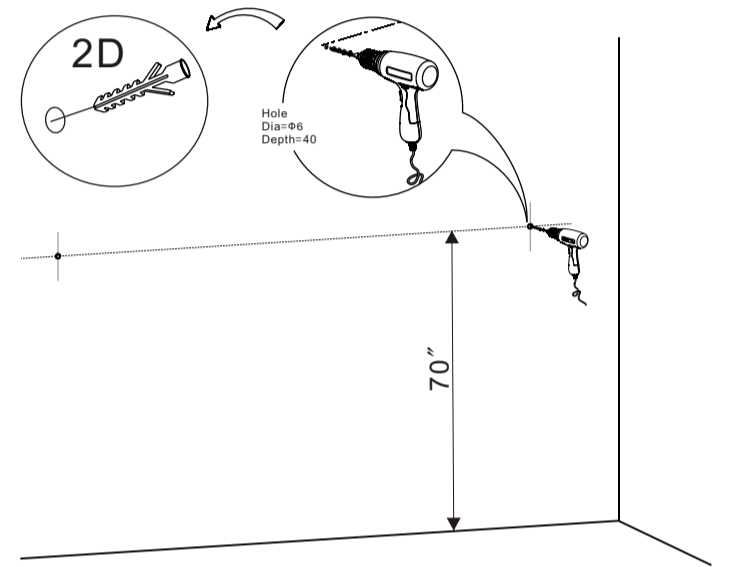
Screwdriver

Tools required for installation

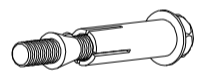
4



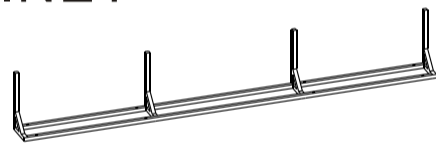
7



CABINET

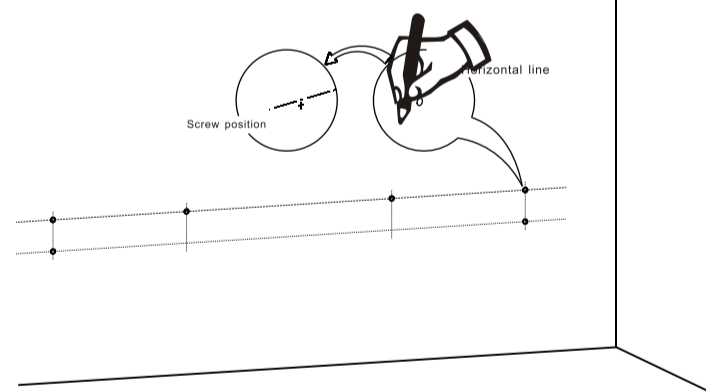


6A

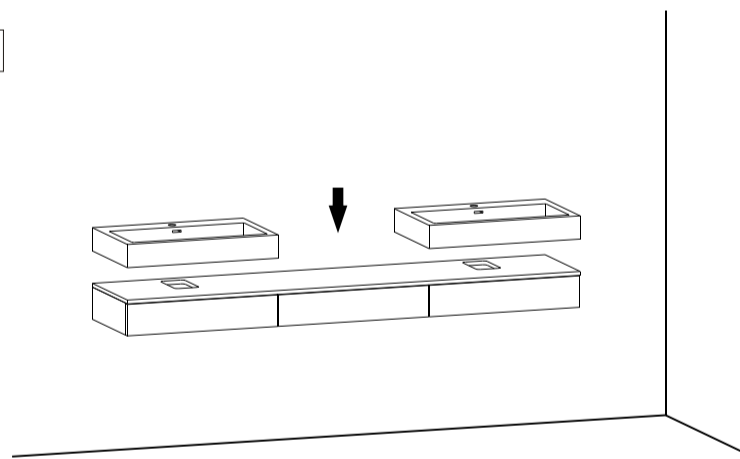


1B

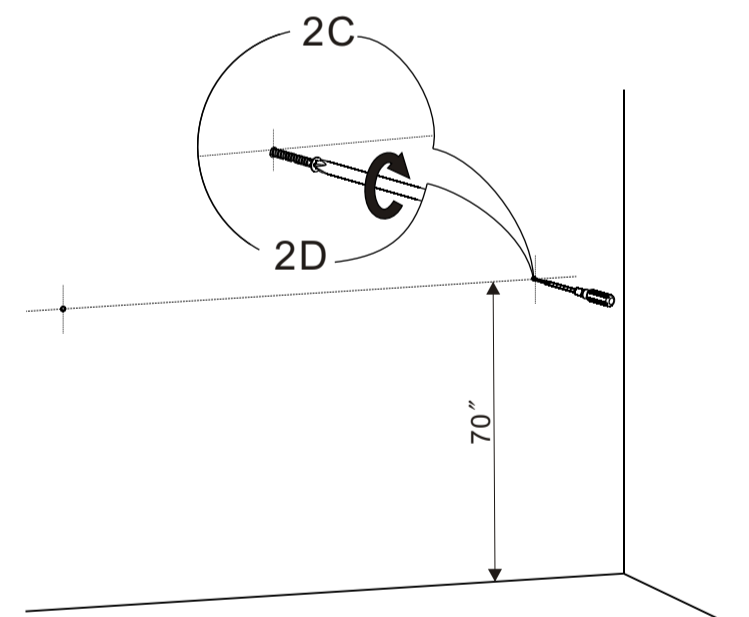
1



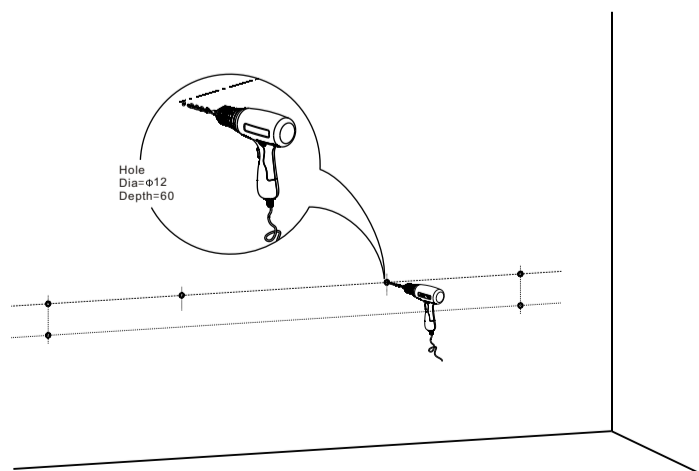
5



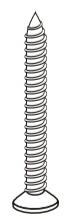
8



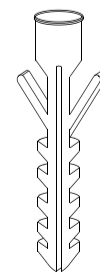
2



MIRROR



2C



2D

9

