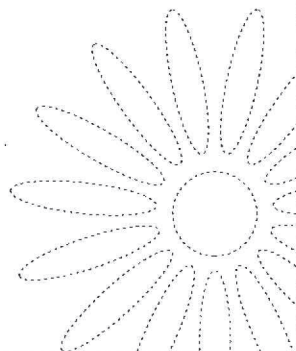




Installation Guide





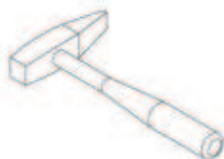
Electric drill



Drill bit
($\Phi 6$)



Tape measure
(3m~5m)



Hammer



Wrench



Pencil



Screwdriver

Tools required for installation

CABINET

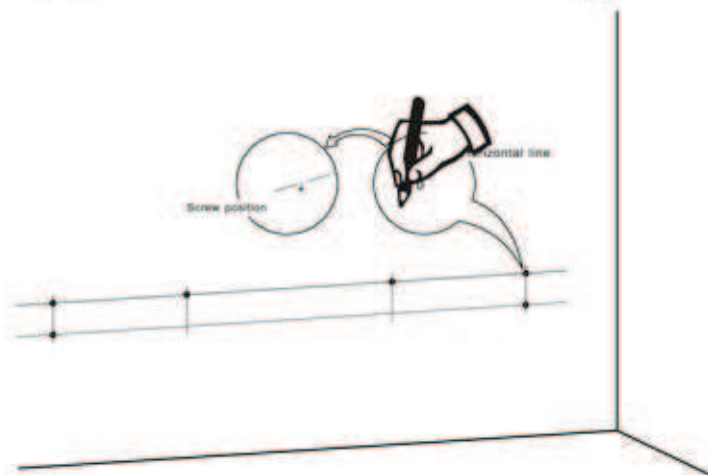


6A

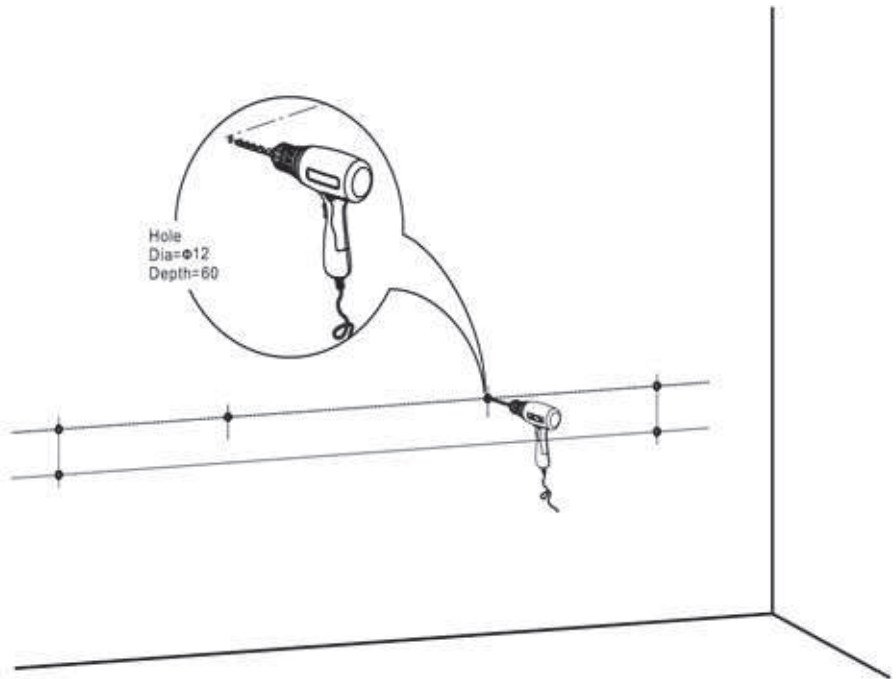


1B

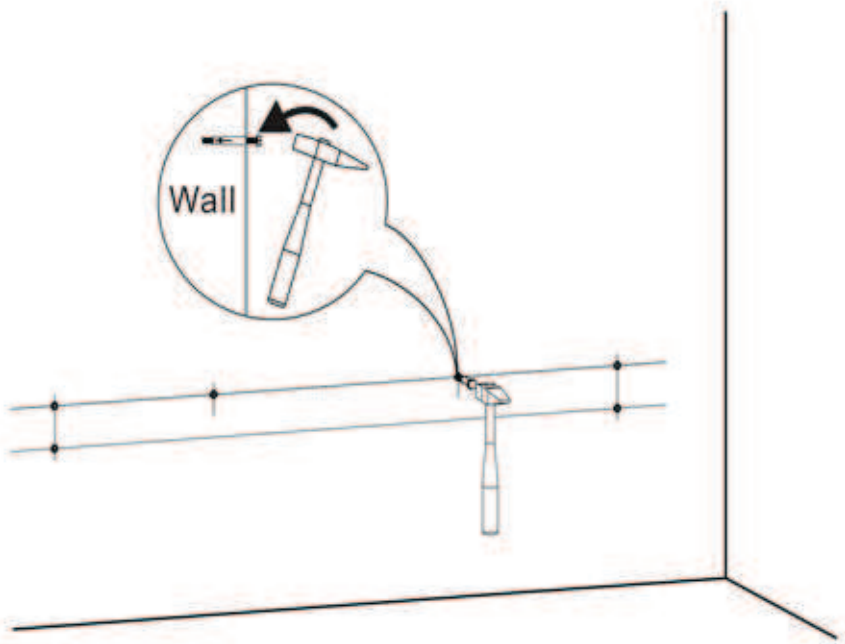
1



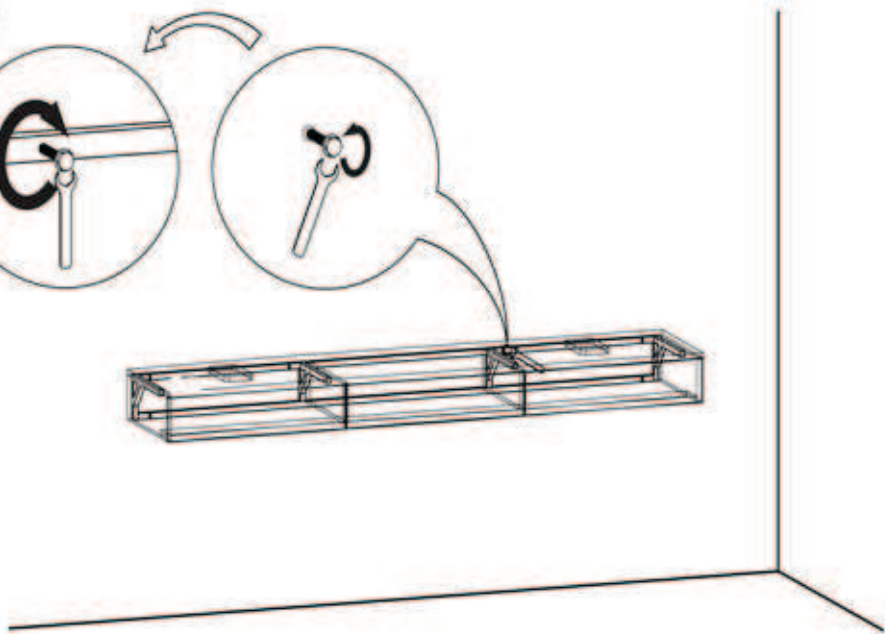
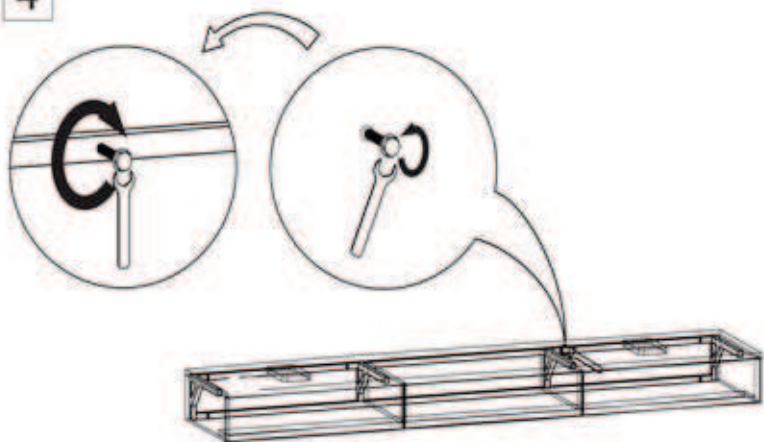
2



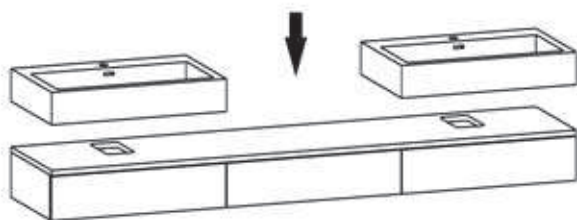
3



4



5



MIRROR

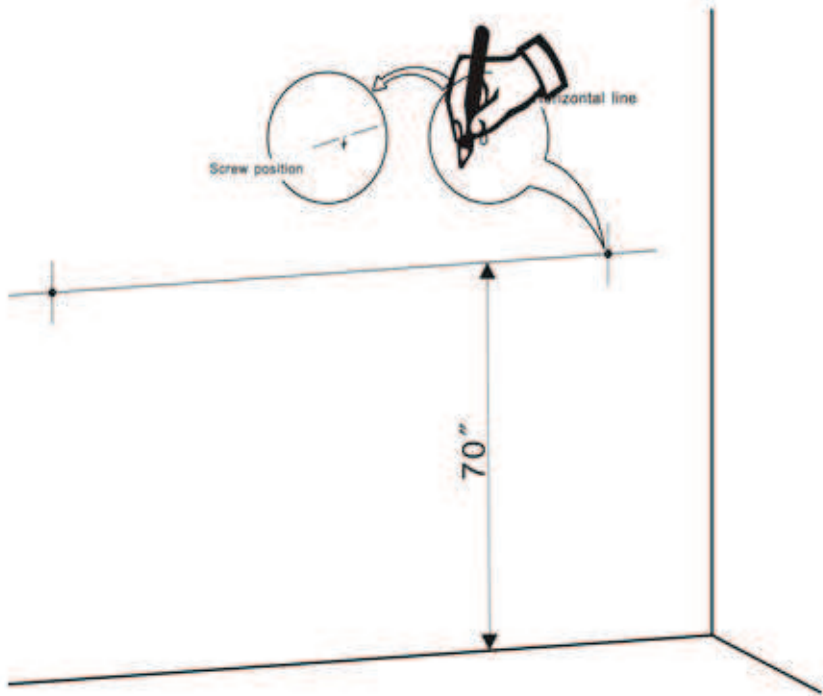


2C

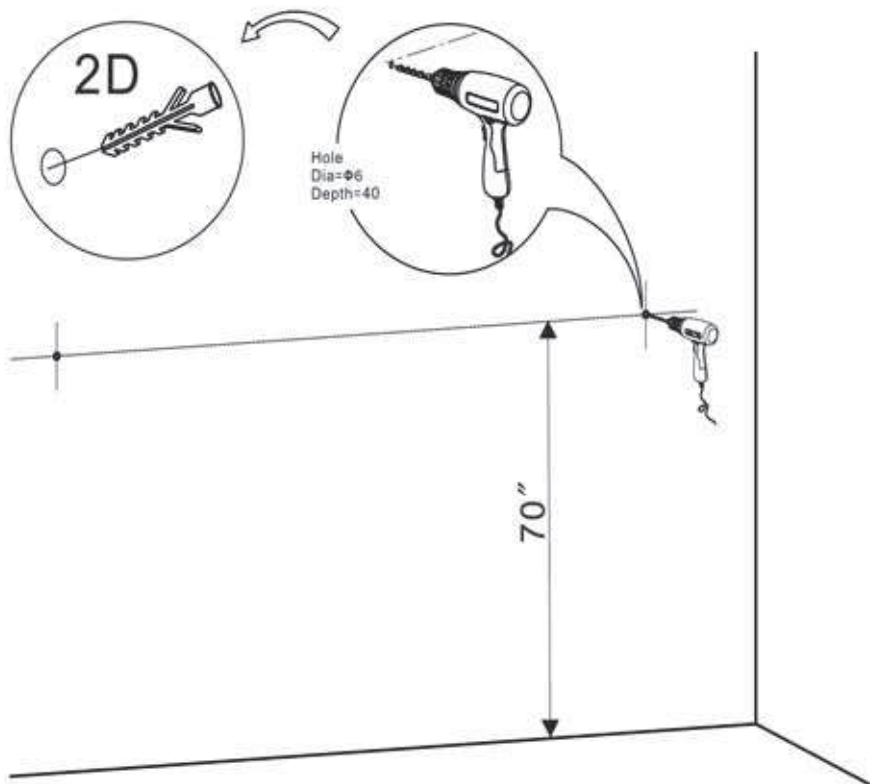


2D

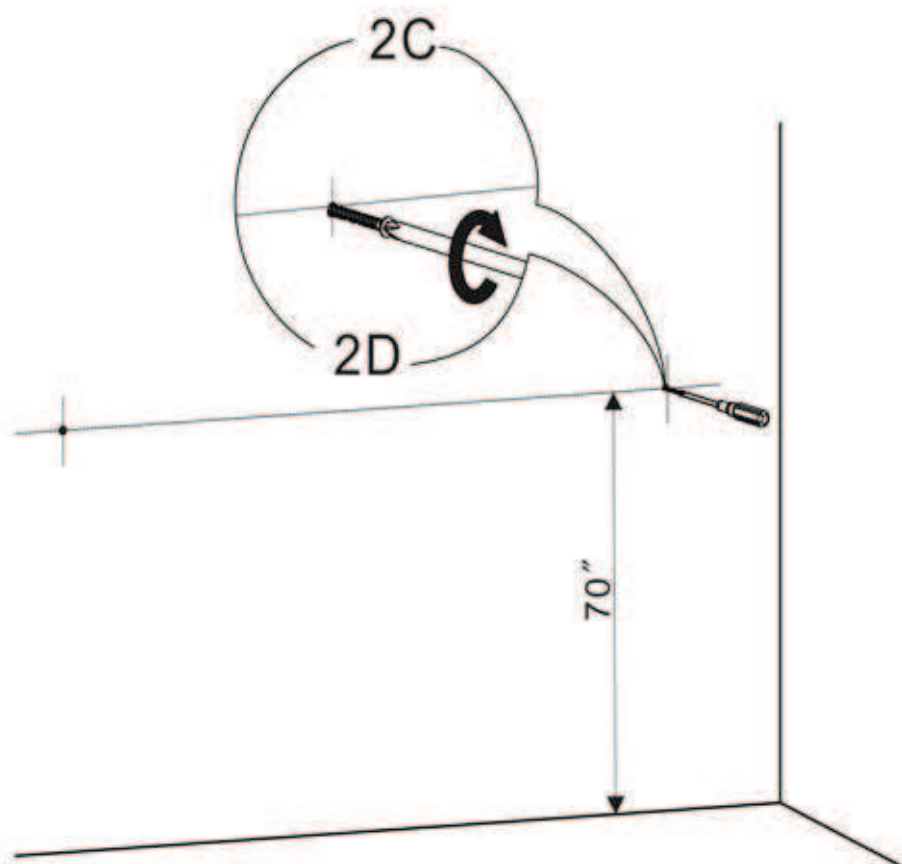
6



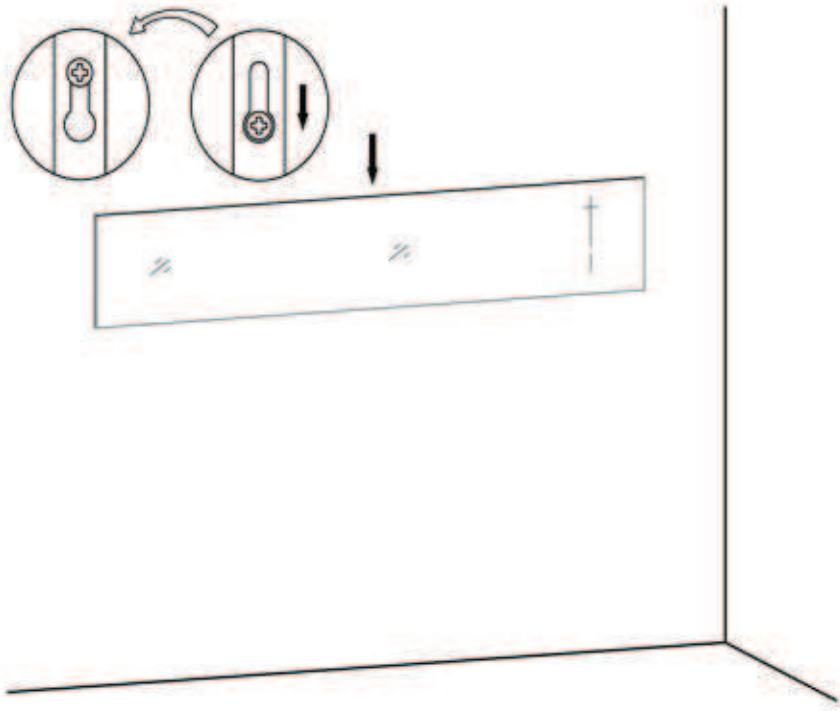
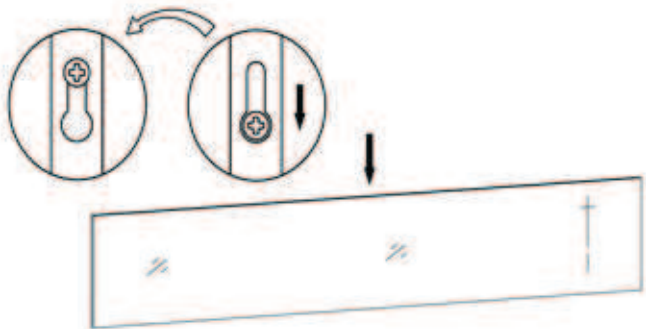
7



8

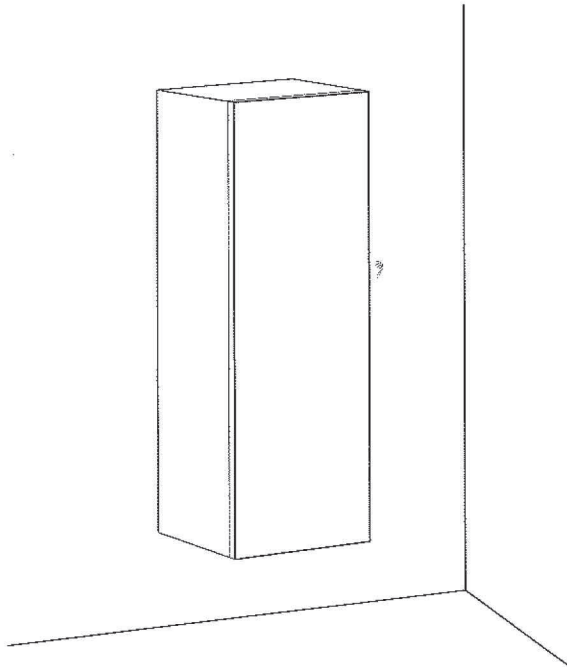


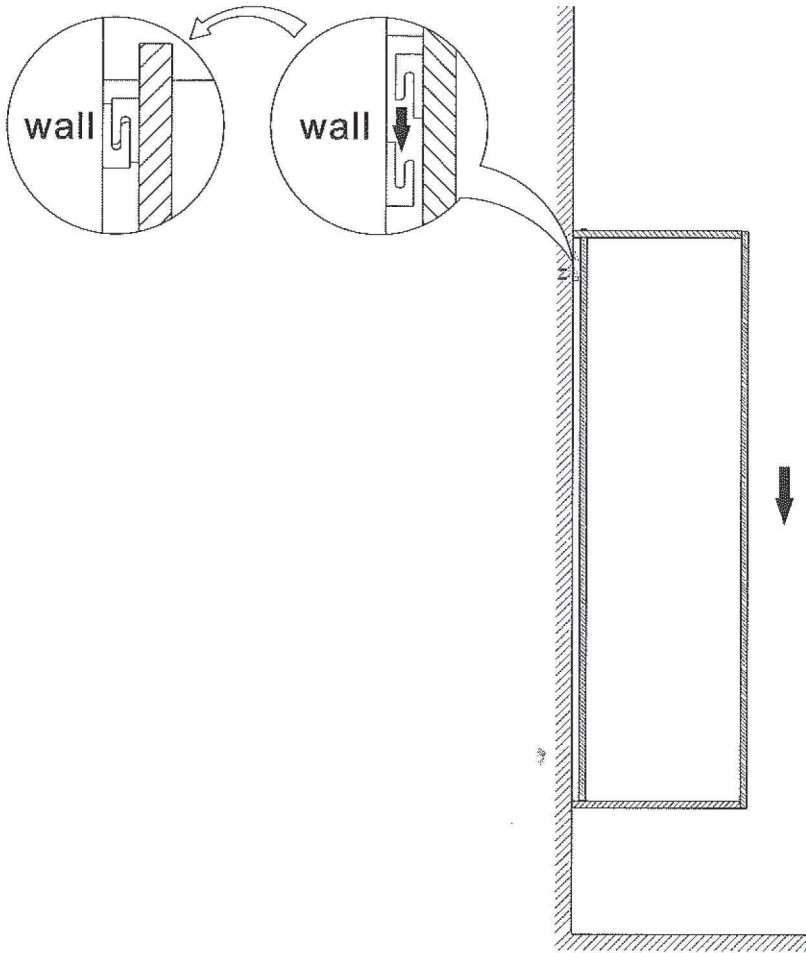
9



STORAGE

(Select)





Remark:if there is logical adjustment.
It will not be another notify.